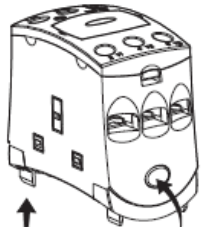


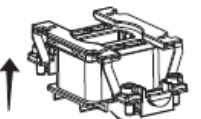


Hazards of electric shock and burning. Installation, Commissioning and Maintenance to be done by qualified personnel only. Always use an appropriate voltage detection device to confirm the absence of voltage. Disconnect the power and isolate before proceeding with any work on this equipment. Use according to the operating instructions, professional practices, wiring rules, codes, safety regulations applicable to the installation.

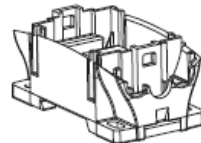
COIL REPLACEMENT



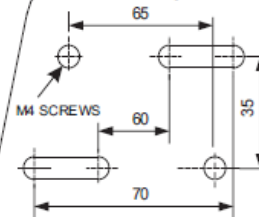
PRESS KNOBS ON EITHER SIDE AND REMOVE HOUSING



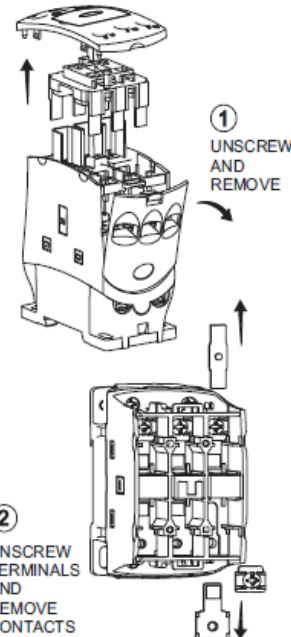
REMOVE AND REPLACE THE COIL



DRILLING PLAN

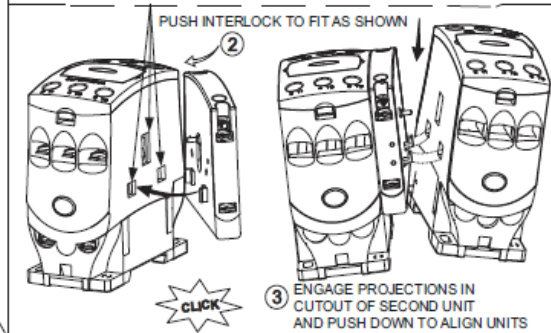


CONTACT REPLACEMENT



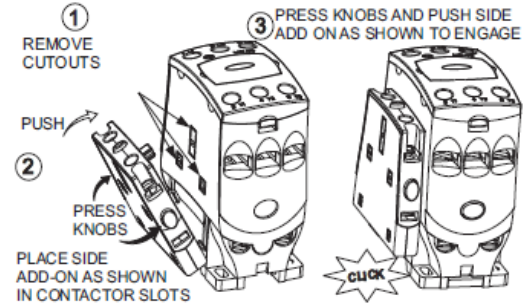
MECHANICAL INTERLOCK FITMENT

1 REMOVE CUTOUTS AND ENSURE THAT PIN ENGAGES IN BRIDGE



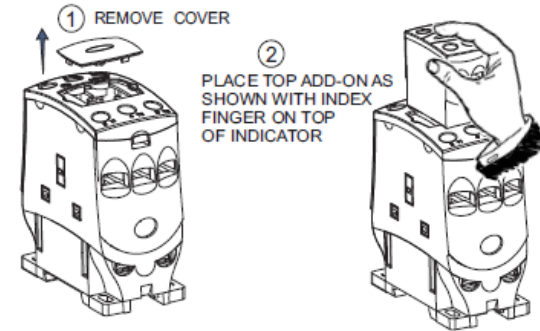
CLICK

SIDE ADD-ON FITMENT

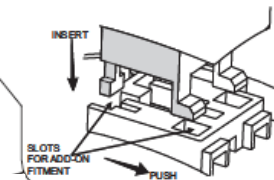


CLICK

TOP ADD-ON FITMENT



3 ENSURE ADD-ON FITMENT IN SLOTS & THEN PUSH TO ENGAGE



Accessories			
Description	Catalogue No.	Description	Catalogue No.
Mechanical Interlock Kit	CS945840000		
Auxiliary Contact Blocks		Auxiliary Contact Blocks	
Side 1NO+1NC (Left)	CS945800000	Top 2NC - 2 Pole	CS945930000
Side 1NO+1NC (Right)	CS945810000	Top 4NO - 4 Pole	CS945940000
Top 1NO - 1 Pole	CS945850000	Top 3NO+1NC - 4 Pole	CS945950000
Top 1NC - 1 Pole	CS945860000	Top 2NO+2NC - 4 Pole	CS945960000
Top 2NO - 2 Pole	CS945910000	Top 1NO+3NC - 4 Pole	CS945970000
Top 1NO+1NC - 2 Pole	CS945920000	Top 4NC - 4 Pole	CS945980000

Spares			
Description	Catalogue No.	Description	Catalogue No.
Spare Coil	CS96317*		
MO 25 Contact Kit	CS963830000	MO 40 Contacts Kit	CS963850000
MO 32 Contact Kit	CS963840000	MO 45 Contacts Kit	CS963860000

* Add 4 digit suffix for coil voltage and type of coil termination
Last Digit of Suffix "O" - Screw Type Termination
Last Digit of Suffix "T" - Fast-on Termination