

Front Side

297.00

**CONTACTOR**  
 MNX 95/ MNX 110/ MNX 140  
 MNX 95-2P/ MNX 110-2P/ MNX 140-2P

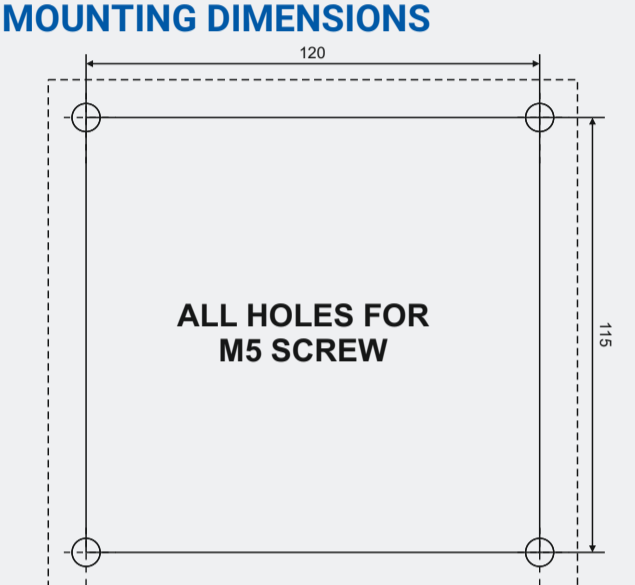


INSTRUCTION MANUAL



Manufacturer assumes no responsibility for a hazard or damage caused by incorrect or non-application of any of the instructions attached herein.  
 Use according to the operating instructions, professional practices, wiring rules, codes, safety regulations applicable to the given installation.  
 Disconnect the power and isolate before proceeding with any work on this equipment.  
 Always use an appropriate voltage detection device to Confirm the absence of voltage.  
 Installation, commissioning and maintenance to be done by qualified personnel only.  
 Hazards of electric shock and burning.  
 Carton & padding can be recycled.  
 Poly bags can be recycled separately.

**MOUNTING DIMENSIONS**

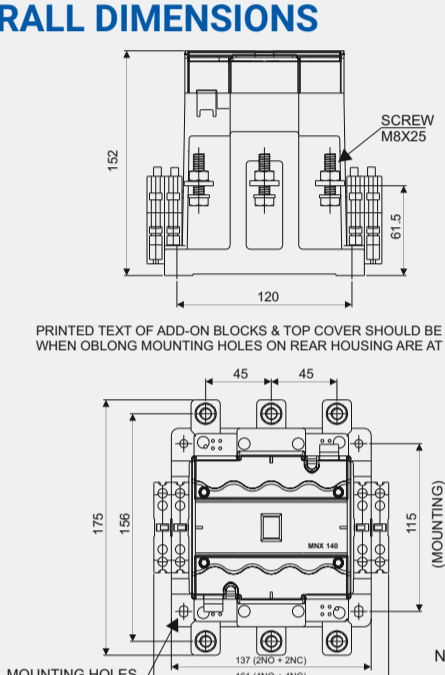


ALL HOLES FOR M5 SCREW

SCALE 1:2  
 ALL DIMENSIONS ARE IN mm

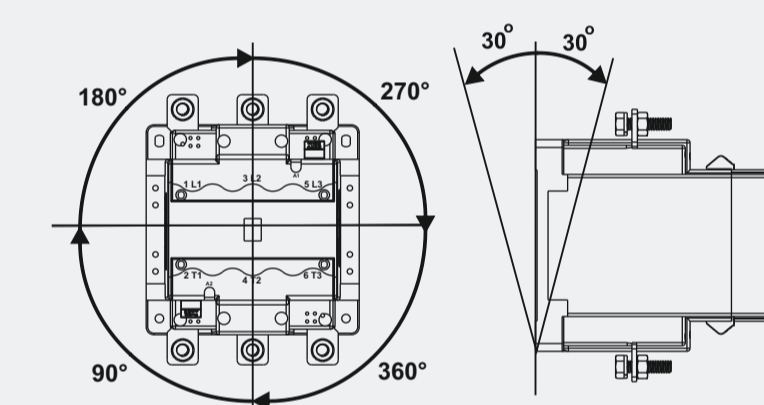
Terminal Description	Screw Size	Recommended Torque (Nm)
Main pole terminals	M6	11
Aux pole/coil/add-on block terminals	M3.5	1.1

**OVERALL DIMENSIONS**



ALL DIMENSIONS ARE IN mm  
 Note: Dimension for 2 Pole contactor is same as Dimension for 3 Pole contactor.

**MOUNTING**



Termination capacity	
Conductor type	MNX 95-140
2 Solid conductors (mm)	-
2 Multi strand conductors (mm)	-
Cable with Lug (mm <sup>2</sup> )	1 x 120

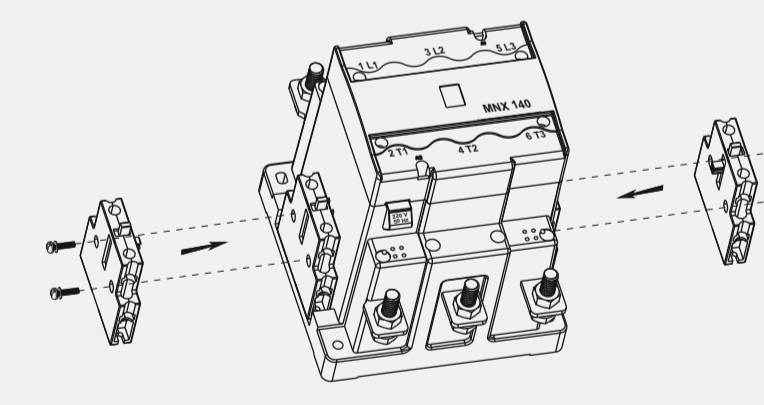
**ACCESSORIES & SPARES**

Accessories Description	Catalogue No.	Terminal Markings
Auxiliary Contact Blocks		
Side 1NO+1NC (First Left)	CS942050000	13-14, 21-22
Side 1NO+1NC (First Right)	CS942060000	43-44, 31-32
Side 1NO+1NC (Second Left)	CS942070000	53-54, 61-62
Side 1NO+1NC (Second Right)	CS942080000	83-84, 71-72
Mechanical Interlock kit	CS941980000	MNX-M6
Surge Suppressor (110V)	CS94164A000	
Surge Suppressor (220-240V)	CS94164B000	MNX-S4
Surge Suppressor (360-525V)	CS94164D000	

Spares Description	Catalogue No.
Spare Coil-MNX 95/110/140	CS94196 (ADD 4 DIGIT COIL VOLTAGE SUFFIX)
Spare Contacts Kit MNX 95	CS941530000
Spare Contacts Kit MNX 110	CS941540000
Spare Contacts Kit MNX 140	CS941550000

**SECOND SIDE ADD-ON FITMENT**



FOR MOUNTING 2nd LEFT & RIGHT : ALIGN ACTUATOR OF FIRST ADD-ON BLOCK WITH SECOND ADD-ON BLOCK. FIX SECOND ADD-ON BLOCK WITH SCREWS PROVIDED.  
 NOTE: 1st LEFT & RIGHT ADD-ON BLOCKS ARE BUILT-IN WITH CONTACTOR

**MECHANICAL INTERLOCK FITMENT**

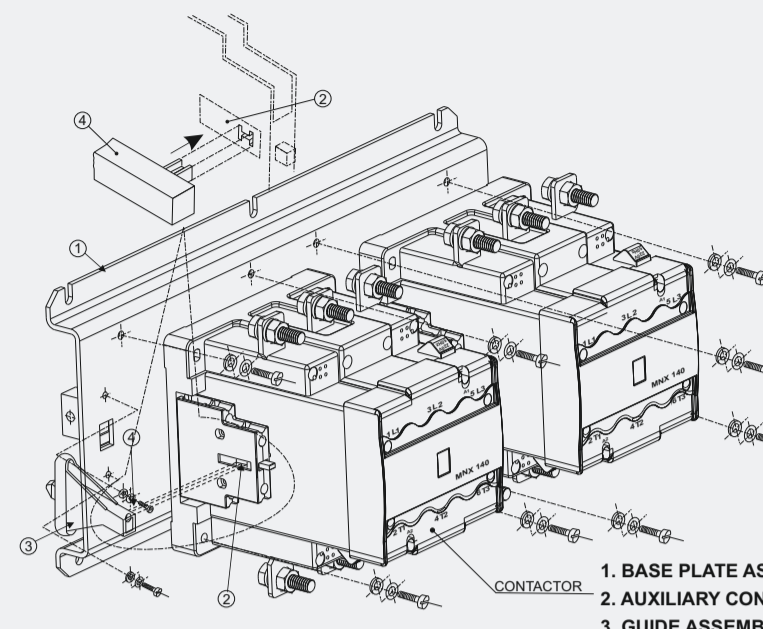
FOR MOUNTING PROCEED AS FOLLOWS:  
**KIT CONTAINS:**  
 One mechanical interlock assembly and four guide assemblies.  
 Mount contactor on base plate assembly '1'. Place guide assembly '3' on the base plate such that projection of actuator '4' from guide assembly goes between the 'I' slot in auxiliary contact bridge '2' by aligning as required & fix it using the screws provided.  
 Repeat the same fixing on other side of the contactor.  
 Repeat the similar operation for second contactor.  
 Your contactors, mechanically interlocked, are now ready for installation.

Back Side

297.0

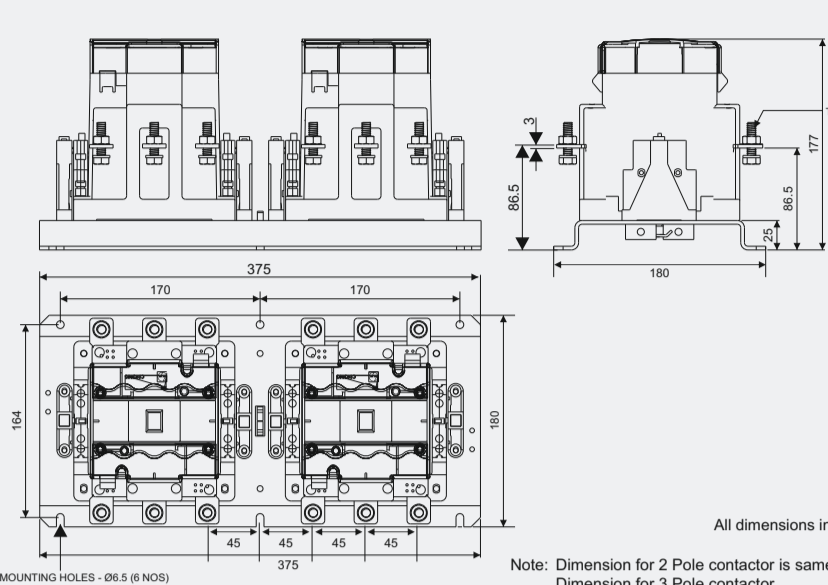
UNLESS OTHERWISE SPECIFIED DIMENSIONS ARE IN mm.  
 TOLERANCE: +/-0.5mm.

**MECHANICAL INTERLOCK FITMENT**



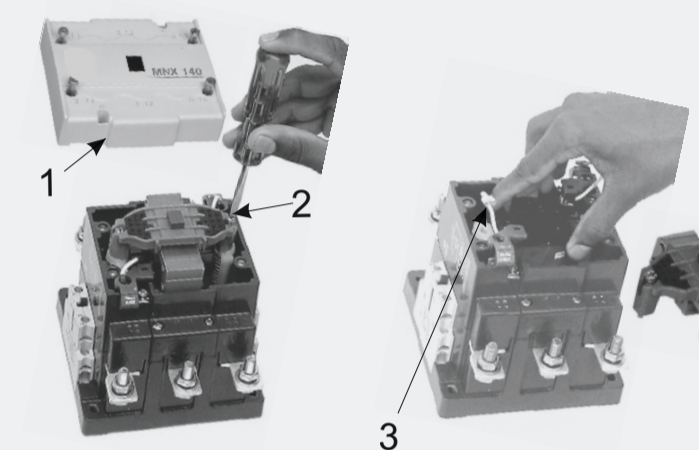
1. BASE PLATE ASSEMBLY.  
 2. AUXILIARY CONTACT BRIDGE  
 3. GUIDE ASSEMBLY  
 4. ACTUATOR

**MECHANICAL INTERLOCK KIT OVERALL DIMENSIONS**



All dimensions in mm.  
 Note: Dimension for 2 Pole contactor is same as Dimension for 3 Pole contactor.

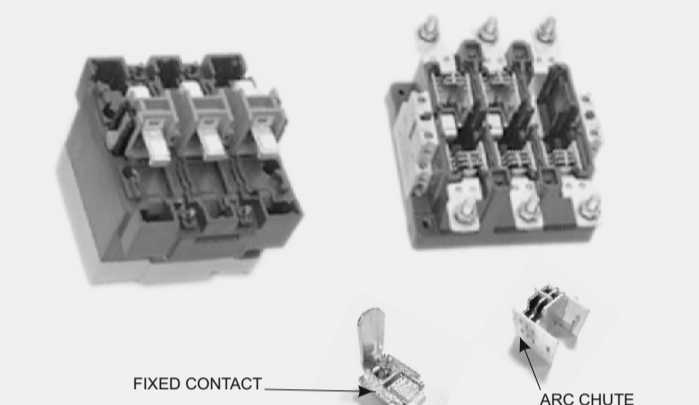
**COIL REPLACEMENT**



- Switch off main power supply and control supply
- Remove top cover (1)
- Remove top bridge assembly by opening quarter turn screw (2)
- Remove coil lugs and replace coils (3)

NOTE - Main power cables and control cables need not be disconnected

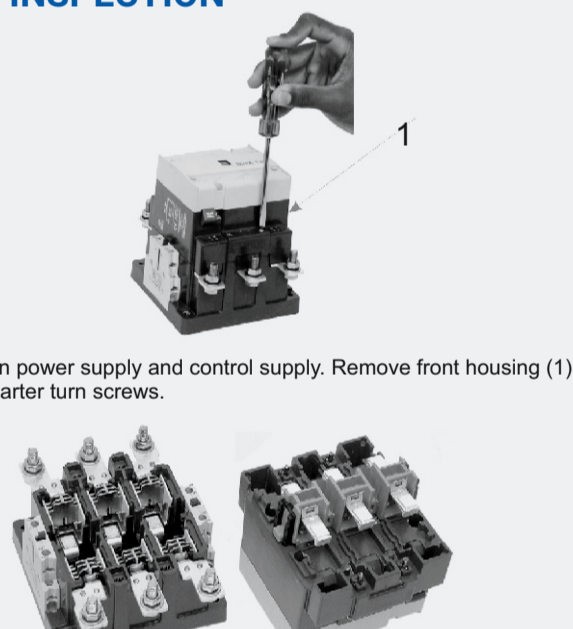
**CONTACT REPLACEMENT**



- Remove front housing assembly by opening quarter turn screw
- Remove contact springs, moving contacts and contact guides from the bridge
- Remove arc chute assembly by pulling. Remove fixed contact by opening screws.

NOTE - The complete set of contacts needs to be changed in case of a contact replacement


**CONTACT INSPECTION**



Switch off main power supply and control supply. Remove front housing (1) by opening quarter turn screws.

"This literature gives information to user about product installation, operation maintenance and disposal. This information is not exhaustive and should customer require further information in specific cases, customer may contact customer interaction cell."  
 "The manufacturer assumes no responsibility for injuries, losses, damages to human beings and/or equipments due to inappropriate application of instructions, provided herein."  
 "Product development is a continuous process. The information given in this literature is subject to change. For latest information the customer may contact customer interaction cell."  
 "Product images are indicative"

CUSTOMER INTERACTION CELL (CIC)  
 Phone No: 022 6932 7800  
 E-mail: CIC@LK-EA.COM  
 Website: WWW.LK-EA.COM



Electrical & Automation  
 Electrical Standard Products  
 A/600, SHIL - MAHAPE ROAD,  
 TTC Industrial Area, MIDC Thane,  
 MUMBAI, MAHARASHTRA, 400710

VER. 1.0  
 SP02061

THIS DRAWING AND DESIGN MUST NOT BE COPIED WITHOUT PERMISSION IN WRITING.

**MATERIAL:** 80 gsm MAPLITHO PAPER  
**NOTE :** UNLESS OTHERWISE SPECIFIED LAYOUT, COLOUR SCHEME, FONT STYLES AND FOLDING SEQUENCE CONFORM TO CD01020

This component does not use any material listed hazardous by RoHS directives

DATE :		<b>L&amp;T Electrical &amp; Automation</b> (A Unit of Schneider Electric India Private Limited)
SCALE: 1:1		
OFN/RLM No.:		
SOFTWARE: Coreldraw		
MODEL :		<b>Product Insert</b> CONTACTOR (MNX95-140)
PROCESS SHEET :	DEPT: 300202316	<b>SP02061</b>
DRAWN BY :		SHEET   OF
CHECKED BY :		
APPROVED BY :		

TCN 500001470535  
 13-05-2024 SS

REVISIONS

PROJECTION