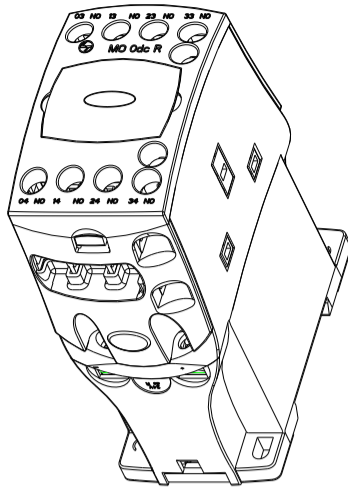


CONTROL CONTACTOR

MO 0dc/ MO 0dc R/ MO 0dc L

- CS90041 MO 0dc L - 4 NO
- CS90042 MO 0dc L - 3NO+1NC
- CS90043 MO 0dc L - 2NO+2NC
- CS90045 MO 0dc/MO 0dc R - 4NO
- CS90046 MO 0dc/MO 0dc R - 3NO+1NC
- CS90047 MO 0dc/MO 0dc R - 2NO+2NC




DISCLAIMER

The manufacturer assumes no responsibility for injuries, losses, damages to human beings and/or equipments due to

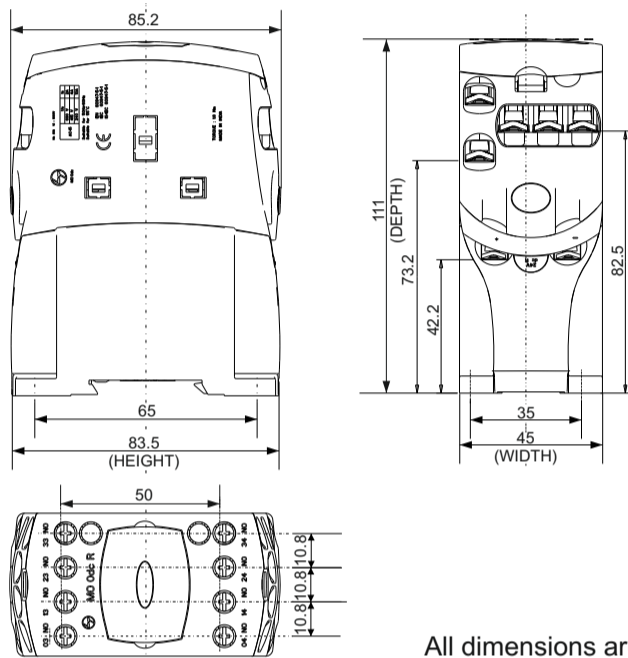

WARNING

Disconnect the power and isolate the product before proceeding with any work on this equipment. Always use an appropriate voltage detection device to confirm the absence of voltage. Installation to be done by qualified personal only. Hazards of electric shock and fire.


DISPOSAL INFORMATION

Packaging material (carton & padding) can be recycled. Poly bags can be recycled separately.

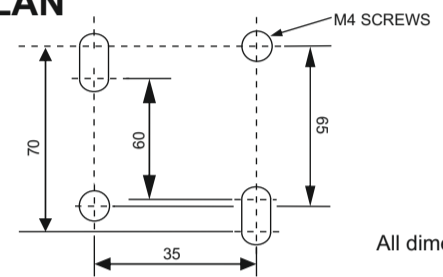
OVERALL DIMENSIONS



All dimensions are in mm.


PRODUCT INSTALLATION

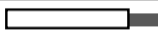
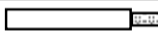


DRILLING PLAN



All dimensions are in mm.

Suitable for Din Rail mounting with Din Rail type top hat rail IEC/EN 60715 - 35 X 7.5 (W X D)

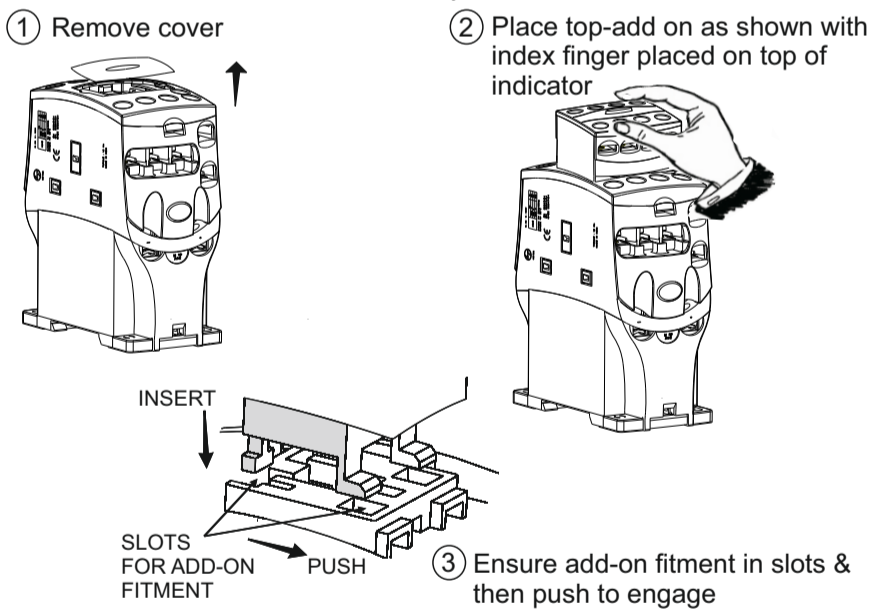
CABLE TERMINATION

Conductor Type - Unprepared / Lugless Copper conductors		
Solid conductors		2 x 1 - 4 mm ²
Stranded conductors		2 x 1 - 2.5 mm ²
Pin Lug		2 x 1 - 2.5 mm ²
Fork Lug		1 x 2.5 mm ² D= 9.5 mm Max.
Tightening Torque		1.8 Nm


PRODUCT INSTALLATION

TOP ADD-ON FITMENT

Suitable for MO 0dc and MO 0dc R only




PRODUCT OPERATION

PRODUCT ORDERING & CATALOGUE NUMBERS

Contactur	Contact Combination	Catalogue No.
MO 0dc L	4NO	CS90041■OO□
	3NO+1NC	CS90042■OO□
	2NO+2NC	CS90043■OO□
MO 0dc/ MO 0dc R	4NO	CS90045■OO□
	3NO+1NC	CS90046■OO□
	2NO+2NC	CS90047■OO□

■ Ordering Code	Coil Voltage	□ Ordering Code	Application
4	24 Vdc	O	MO 0dc - Normal
5	48 Vdc		MO 0dc L - Low Consumption
1	110 Vdc		MO 0dc R - Railway
2	220 Vdc	9	


PRODUCT OPERATION

ACCESSORIES

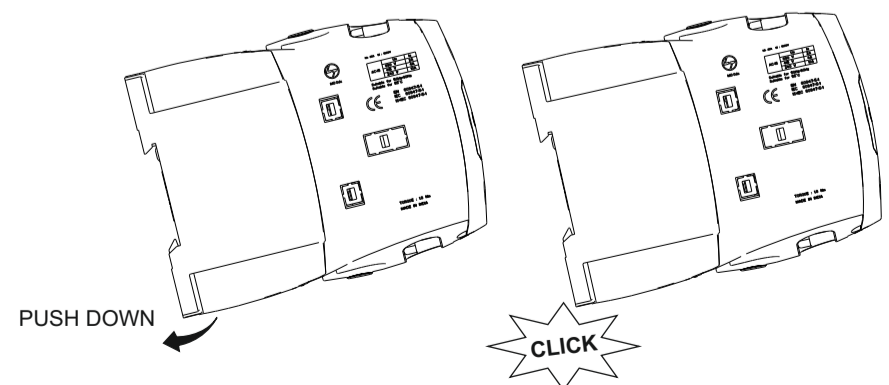
Auxiliary Contact Blocks for MO 0dc	
Description	Catalogue No.
Top 1NO - 1 Pole	CS945850000
Top 1NC - 1 Pole	CS945860000
Top 2NO - 2 Pole	CS945910000
Top 1NO+1NC - 2 Pole	CS945920000
Top 2NC - 2 Pole	CS945930000
Top 4NO - 4 Pole	CS945940000
Top 3NO+1NC - 4 Pole	CS945950000
Top 2NO+2NC - 4 Pole	CS945960000
Auxiliary Contact Blocks for MO 0dc R	
Top 2NO+2NC - 4 Pole	CS918510009

NOTE:
Auxiliary contact blocks not to be used with MO 0dc L


PRODUCT OPERATION

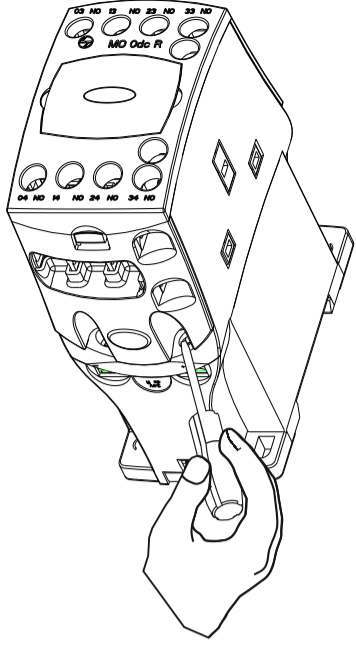
MOUNTING ON DIN-RAIL

ENGAGE CONTACTOR WITH DIN RAIL AS SHOWN




PRODUCT INSTALLATION

COIL TERMINATION



PRODUCT
MAINTENANCE



DISCLAIMER
NOTES

"This literature gives information to user about product installation, operation maintenance and disposal. This information is not exhaustive and should customer require further information, in specific cases, customer may contact customer interaction cell."

"The manufacturer assumes no responsibility for injuries, losses, damages to human beings and/or equipments due to inappropriate application of instructions, provided herein."

"Product development is a continuous process. The information given in this literature is subject to change. For latest information the customer may contact customer interaction cell"



CUSTOMER
CARE

CUSTOMER INTERACTION CELL (CIC)

BSNL / MTNL (Toll-Free): 1800 233 5858
RELIANCE (Toll-Free): 1800 200 5858
Telephone: 022 6774 5858
email: cic@LNTEBG.com
website: www.LNTEBG.com



COMPANY
INFORMATION

SP03764



**L&T Electrical & Automation,
Electrical Standard Products,**

L&T Business Park, TC-2, Tower B, 3rd Floor,
Gate No.5, Saki Vihar Road, Powai,
Mumbai - 400 072, INDIA. www.Lntebg.com

VER. X.X